



PRECISION CUTTING SIMPLIFIED

Meet The Shaper System

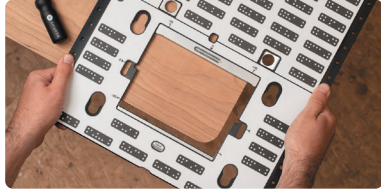


An integrated system that brings intuitive precision to any cutting operation.



WORKSTATION

Workholding perfected. Align, clamp, and cut with speed and precision.



PLATE

The universal template for Origin. Fast to set up and endlessly flexible.



SHAPER | HUB

Origin-ready projects and hardware files from the Hardware Catalog.



STUDIO

The Simplified design tool for craftspeople.



ORIGIN

Bring digital precision to the craft of woodworking with Origin – the handheld CNC router.

ORIGIN

The centerpiece of the Shaper System, Origin brings digital precision to the craft of woodworking.



Designed specifically for woodworkers with a familiar hands-on form factor, Origin slots seamlessly into a traditional woodshop. Bring CNC accuracy and efficiency to all your cutting operations with an easy-to-use interface.

- ➔ No Programming Required
- ➔ On-Tool Design
- ➔ Automatic Cut Correction

shapertools.com/origin



PLATE

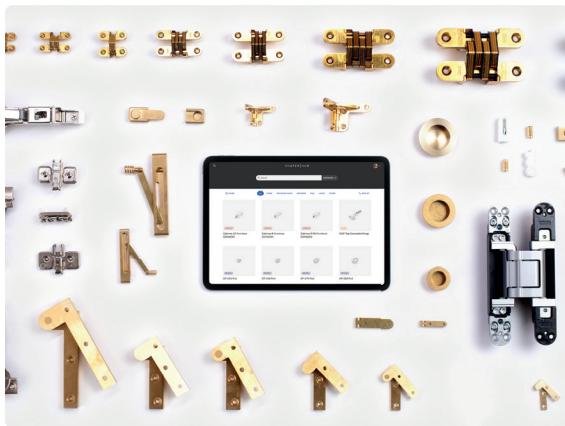
The universal template for Origin.
Fast to set up and endlessly flexible.



Precision Where You Need It

Plate is the universal template for Origin. Install hardware in virtually any workpiece, make slab repairs, route System 32 holes, and much more with minimal setup time and maximal adaptability.

shapertools.com/plate



Meet Hardware Catalog

Plate combines with ShaperHub's Hardware Catalog—a collection of fully annotated Shaper-vetted digital hardware templates from leading manufacturers. Search for the hardware you need, sync to Origin, and begin cutting.

hub.shapertools.com/hardware

WORKSTATION

Workholding perfected. Align, clamp and cut
with unrivaled speed and precision.



Joinery Made Easy

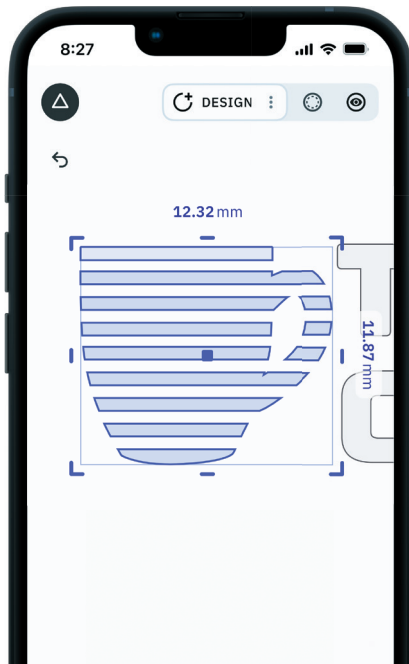
Workstation is an adaptable and efficient fixturing solution for a huge variety of project types, including mortise and tenon joinery and box joints. Use it to reliably fixture vertical work, index and align against unwieldy workpieces, and securely cut small or delicate materials.

shapertools.com/workstation



STUDIO

The simplified design tool for craftspeople.
Go from idea to cut-ready file in minutes.



Spend More Time Making

Purpose-built for fabrication and focused on the features that matter to you most, Studio helps you spend more of your time making, and less time fussing with a computer.

No CAD experience required

Quickly build up a design from Studio's basic shapes and editor, or combine and customize shapes with Studio's powerful ShapeShifter tool to create something truly unique.

shapertools.com/studio

Shaper Accessories



Expand Origin's Potential

Cut unique profiles from t-slots to dovetails and increase your cutting efficiency with router bits available in our accessories store.

shapertools.com/accessories



"Having an Origin has dramatically changed my workflow. It works with all of the tools in my shop."

Philip Morley
Custom Furniture Maker

How would Origin improve the way you work?



Scan the QR code and write us on
WhatsApp.

Or book your personal Expert Call at:
shapertools.com/book-a-demo

Shaper Tools GmbH
Dieselstr. 26
70771 Leinfelden-Echterdingen
Germany

Phone
+49 (0)711 268 98124

E-Mail
hello@shapertools.com

