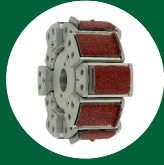
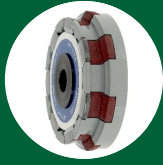


# SANDING SYSTEMS FOR STAIRS

High flexible profile sanding tools



## ARMINIUS® tooling

### ARMINIUS SANDING TOOLS

ARMINIUS is the most reliable and innovative partner for profile sanding tools, machines and aggregates on the global market today.

- Sanding tools for raised panels
- Sanding tools for rebate profiles
- Sanding tools for surfaces and edges
- Sanding tools for decorative grooves
- Sanding brushes
- Brushes for Texturing
- Sanding pads

#### ARMINIUS-Schleifmittel GmbH

Paderborner Straße 65  
32760 Detmold

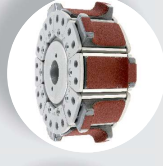
Germany

Tel.: +49 (0) 52 31 - 94 55 0

Fax: +49 (0) 52 31 - 94 55 99

info@arminius.de

www.arminius.de

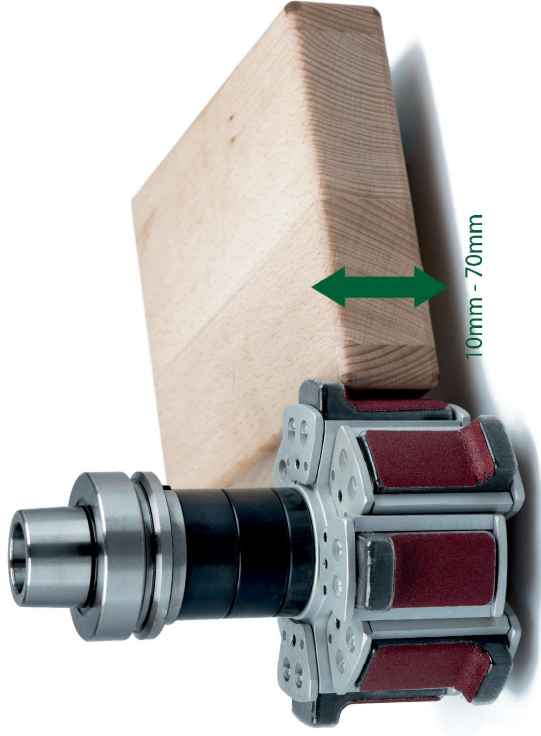


## ARMINIUS® tooling

## ARMINIUS

### Double segment sanding tool

The ARMINIUS double-segment sanding tool is perfect to sand stair treads and stringers. Due to the adjustability of the tool, workpiece thicknesses of 10 to 70mm can be sand with only one tool.



## ARMINIUS

### handrail tools

The ARMINIUS handrail tools are suitable for sanding all variety of handrails on a wide range of machines. Curved handrails can also be sanded with a roller/follower on a spindle machine.



## ARMINIUS

### sanding segments

The single-segment assembly guarantees a quick and individual exchange of the sanding segments.



## YOUR BENEFITS

Abrasive in all grits available

Minimal set-up time

Cost savings by combining many existing profiles possible

variable in diameter and height

fast delivery time

high running meters of the abrasive

can be used as a boring and shank tool

no adjustment after changing of the abrasive

can be used on all machines

profile accuracy  $\pm 0,05\text{mm}$

## APPLICATION EXAMPLES

